

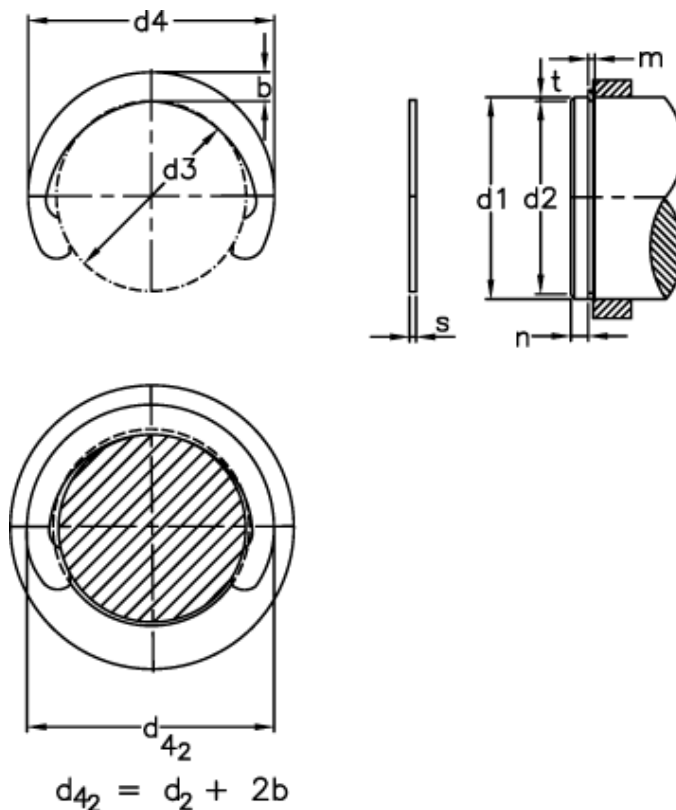
Data Sheet



Article number: 0118021

Description: Retaining ring H 8

Measures



b	= 1.60	FRg kN	= 1.3	t	= 0.50
d1	= 8	FR kN	= 2.20	tol	= -0.09
d2	= 7.0	g	= 0.80	tol	= 0.09
d3	= 6.80	Gripper	= GRH 8	tol	= -0.05
d4	= 10.00	m min	= 0.85	Weight kg/1000	= 0.17
d4 2	= 10.2	n abl x 1000	= 67		
Description	= H 8,0	Nominal drive	= 1.5		
FN kN	= 0.98	s	= 0.80		